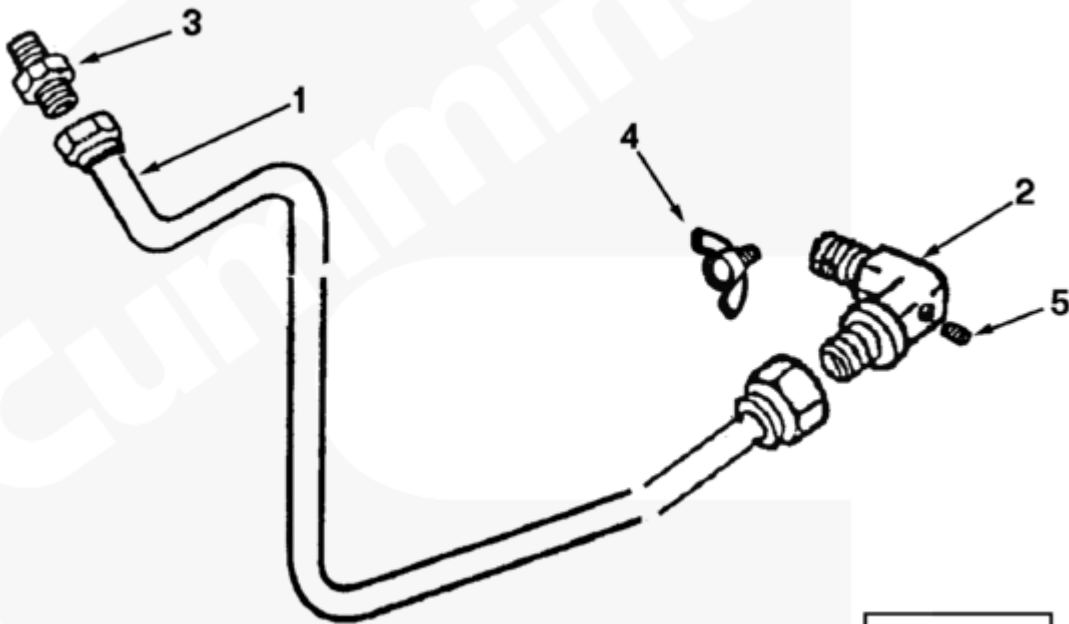




Parts Catalog - Option Detail

Electronic Parts Catalog - Option Detail				
Option	Group	Graphic	Film Card	Date
CT1604	08.07.1	ct100gh	F	15-AUG-95
Engines	NH/NT 855, NT495, NT743, NTA855 N106			

©Cummins Inc



[SMALL](#) | [MEDIUM](#) | [LARGE](#)

Cart	Ref No	Part Number	Part Description	Required	Remarks
View My Cart					
		CT1604	Water Supply Tubing		
					Water Supply Tubing
					Routes forward from
					compressor body rear side
					port, bends inward and
					connects into engine block
					water pump cavity. Tube for

					Midland 1300 air compressor.
					Must use the compressor head
					front water port as water
					outlet. Contains draincock
					for draining compressor.
<input type="checkbox"/>	1	3032983	Compressor Water Inlet Tube	1	
<input type="checkbox"/>	2	200048	Plain Adapter Elbow	1	
<input type="checkbox"/>	3	S 1002 A	Male Connector	1	
<input type="checkbox"/>	4	S 962 E	Draincock	1	
<input type="checkbox"/>	5	3013786	Pipe Plug	1	3/8 NPT.

© 2019 Cummins Inc., Box 3005, Columbus, IN 47202-3005 U.S.A.
Terms of Use and Disclaimers | Recommended System Requirements
Need Assistance? Please click on the Contact Us button in the top right corner of any page.